

List of components

Valid for all pumps in sizes: ACE 025/032/038 Rotor diameter and Generation: D3/K3/L3/N3

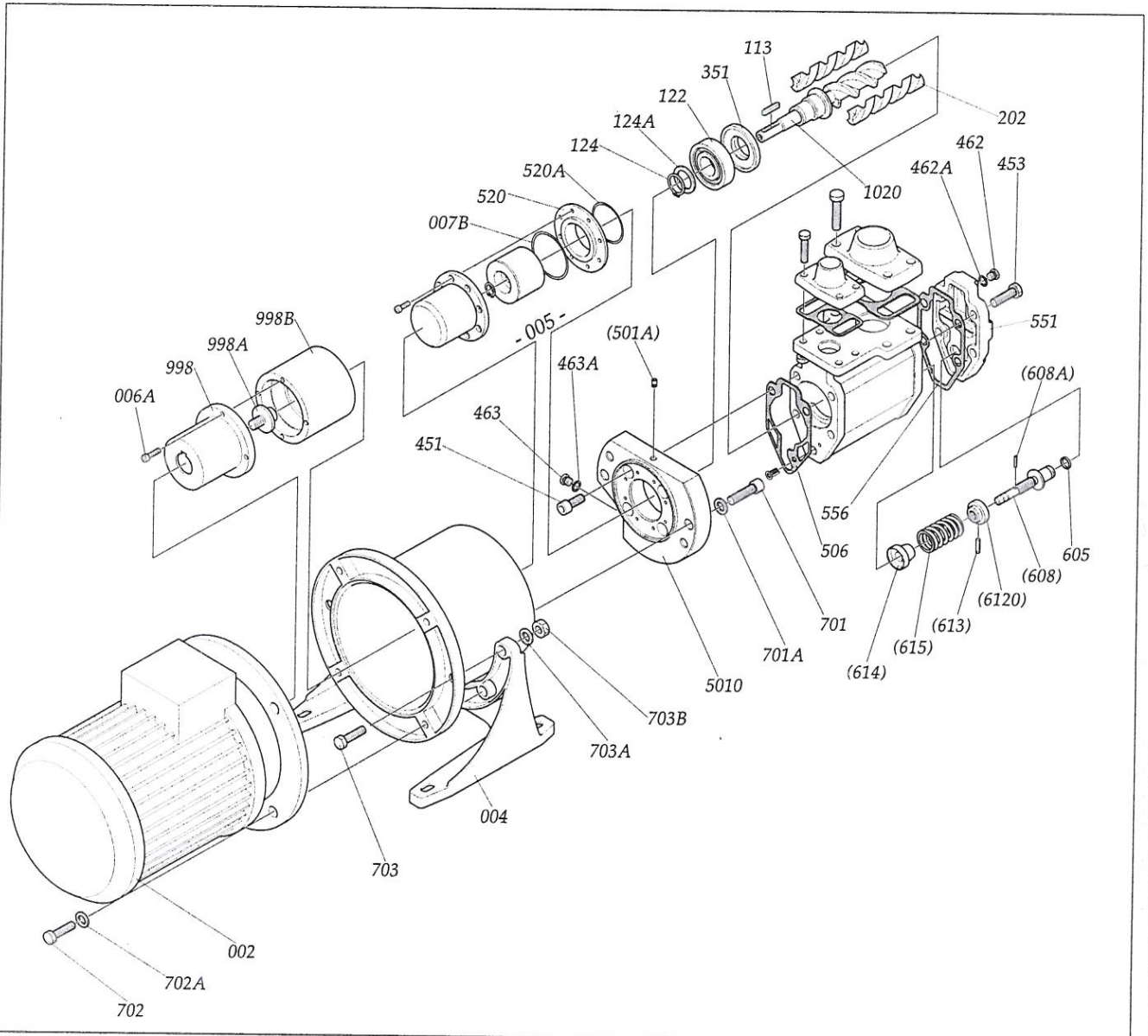
With version codes: N } K } B } P } The version code is composed of the letters in the 4 columns.

L }
M }

Example of pump designations std: ACE 025L3 NKBP

Pos No	Denomination	Qty	Components included in spare parts set					Notes	Explanations:
			G012	G054	G057	G070	G098		
002	Motor	1							G012: Rotor set
003	Connecting frame	1							
004	Angle bracket	1							G054: Major kit
005	Magnetic coupling	1						x	
005A	Retaining ring	1		x	x			x	G057: Joint kit
006A	Screw	1							
007A	Screw	1							G070: Complete valve element
007B	O-ring	1		x	x			x	
1020	Power rotor	1	x	x					G098: Compl magnetic coupling
105	Nozzle	1	x	x				3	
112	Balancing piston	1	x	x				3	
113	Key	1	x	x					
122	Ball bearing	1	x	x					
124	Retaining ring	1	x	x					
124A	Support washer	1	x	x					
202	Idler rotor	2	x	x					
351	Balancing bush	1	x	x					
401	Pump body	1							Notes:
418	Gasket	1		x	x			1	
423	Gasket	1		x	x			1	1) Gaskets for counter flanges
440	Return valve	1							
451	Screw	1							2) Sizes 025-032 only
453	Screw	1							
462	Plug	1							3) Not sold seperately
462A	Sealing washer	1		x	x				
463	Plug	1							
463A	Sealing washer	1		x	x				
5010	Front cover	1							
506	Gasket	1		x	x				
520	Cover	1						2	
520A	O-ring	1		x	x			2	
551	Rear cover	1							
556	Gasket	1		x	x				
605	O-ring	1		x	x	x			
608	Valve spindle	1				x		3	
608A	Tension pin	1				x		3	
6120	Set screw	1				x		3	
613	Pin	1				x		3	
614	Valve piston	1				x		3	
615	Valve spring	1				x		3	
701	Screw	2							
701A	Washer	2							
702	Screw	4							
702A	Washer	4							
703	Screw	3							
703A	Washer	3							
703B	Nut	3							
998	Drive hub	1							
998A	Washer	1							
998B	Screw	1							

Exploded view



Ordering code

Item	Spare Parts sets		Part numbers for pump size		
			025	032	038
G012	Rotor set	D-lead	--	--	
		K-lead	--	--	192246
		L-lead	192242	192244	-
		N-lead	192243	192245	192247
G054	Major kit	D-lead	--	--	193065
		K-lead	--	--	192252
		L-lead	192248	192250	--
		N-lead	192249	192251	192253
G057	Joint kit		192260	192261	192262
G070	Valve element		189873	189873	189873
G098	Magnetic coupling	K	192254	192254	--
		L	192255	192255	192258
		M	--	192256	192259
122	Ball bearing		173765	173765	173591
Tool H	Guide pins		193086	193086	193086

Recommendation:

For maintenance the following spare part sets are recommended:

Set: To be used:

G054 Major kit

For repair after damage or greater wear.

G057 Joint kit

For dismantling the pump.

Ordering example:

For IMO-pump ACE 032N3 NKBP, serial number 456789:

Ball bearing pos 122 p/n 173765

Valve element pos G070 p/n 189873

Guide pins, Tool H, recommended for dismantling and assembling