

List of components

Valid for all pumps in sizes: E4S 025,032,038, 045,052,060 & 070; Rotor diameter and generation: H/K/L/P and generation 1-4. No version code used for this pump. Also valid for pump option A285

Example of pump designations

std: E4C 038N1 options: E4S 038N3 A285

Pos No	Denomination	Qty	G063	Note
102	Power rotor	1		
122	Ballbearing	1		
124	Retaining ring	1		
124A	Support ring	1		
202	Idler rotor	2		
382	Screw	4		
401	Pump body	1		
423	O-ring	1	x	
427	Split flange	2	x	
427A	Pipe Weld	1	x	
428	Screw	4	x	
428A	Washer	4	x	
463	Plug	1		9
463A	Washer	1		9
489	Strainer	1		
489A	Distance ring	1		10
514	Retaining ring	1		

Explanation:

G063: Counter flange, size 060-070 only

Notes:

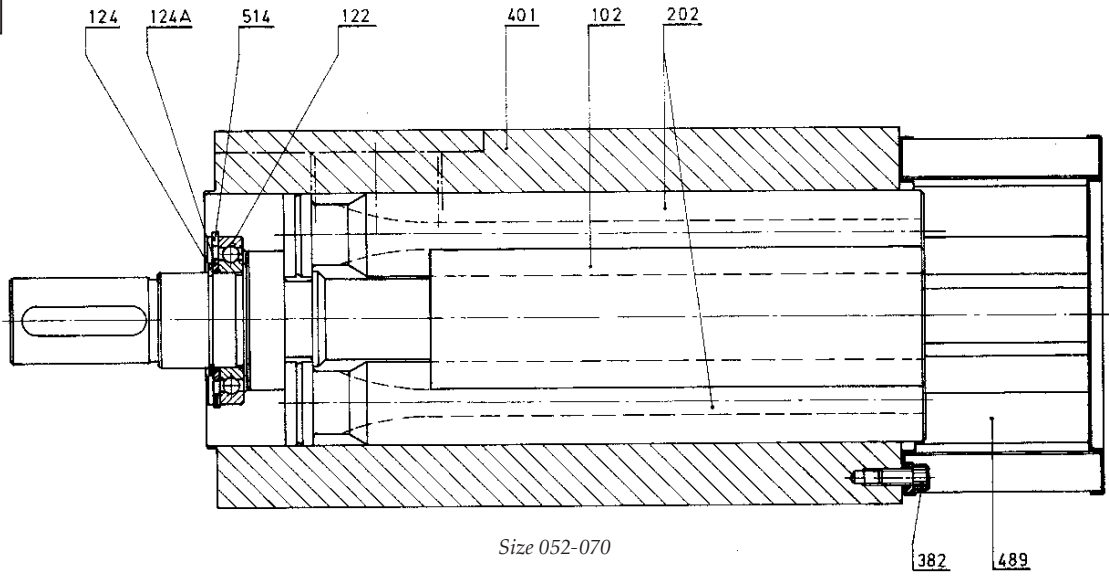
- 1) Replaced by E4S N1
- 2) Replaced by E4S K1
- 3) Replaced by E4S N4
- 4) Replaced by E4S L1
- 5) Replaced by E4S L4
- 6) Replaced by E4S 038N4 A285 p/n 188188
- 7) Replaced by E4S 038K4 A285 p/n 188187
- 8) Pump size 038 with 19mm shaft diameter (standard 32mm)
- 9) Valid for size 060-070
- 10) Valid for size 045

Ordering code

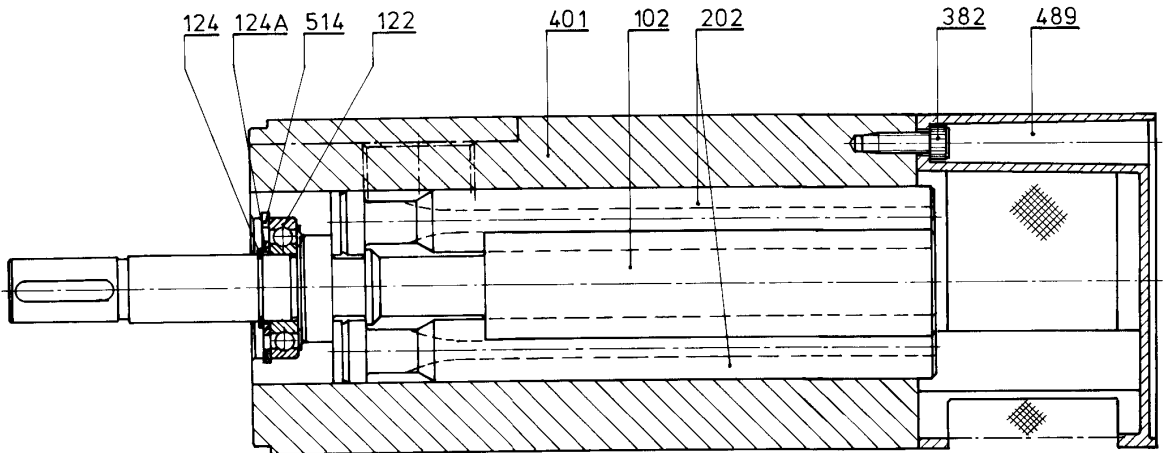
Pos No	Spare parts (set)	Part numbers for pump size							Note
		025	032	038	045	052	060	070	
122	Ball bearing z1-z3	017103	017103	126581	126581	126581	017137	017194	
	" z4	187906	187906	185439	185439	185439	017137	017194	
489	Strainer z1-z3	126383	126383	126383	126383	127571	132852	129072	
	" z4	188656	188656	188656	188656	127571	132852	129072	
489A	Distance ring	--	--	--	131755	--	--	--	

Assembly drawing

E4S N1/N2/N3



E4S N4



A 285

