

**List of components**

Valid for all pumps in sizes: ACE 025/032/038 Rotor diameter and Generation: D3/K3/L3N3

With version codes: N } Q } B } P }

T }  
V }

Also valid for pump options: A050, A078, A101, A291

The version code is composed of the letters in the 4 columns.

Example of pump designations std: ACE 025L3 NTBP;

option: ACE 038N3 NVBP A101

Pos no	Denomination	Q-ty	Components included in spare parts sets:							Notes
			G011	G012	G050	G053	G057	G070	G082	
1010	Power rotor	1	x							
1020	Power rotor	1		x						
113	Key	1	x	x						
122	Ball bearing	1	x	x		x				
125	Secondary seal	1			x	x	x		x	1,4
201	Idler rotor	2	x							
202	Idler rotor	2		x						
351	Balancing bush	1	x	x						
401	Pump body	1								
416	Suction flange	1								
417	Screw	8								
418	Gasket to suction flange	1				x	x			
423	Gasket to discharge flange	1				x	x			
427	Discharge flange	1								
440	Return valve	1								5
443	Seal chamber plug	1								3
443A	Tension pin	1								3
443B	O-ring	1				x	x			3
451	Screw	4								
453	Screw	4								
462	Plug	1								
462A	Sealing washer	1				x	x			
463	Plug	1								
463A	Sealing washer	1				x	x			
501	Front cover	1								
506	Gasket	1				x	x			
509	Shaft seal	1			x	x				
537	Deaeration plug	2								
537A	Washer	2				x	x			
551	Rear cover	1								
556	Gasket	1				x	x			
557	Plug	1								
557A	Washer	1				x	x			
605	O-ring	1				x	x	x		
608	Valve spindle	1						x		
608A	Tension pin	1						x		
6120	Set screw	1						x		
613	Pin	1						x		
614	Valve piston	1						x		
615	Valve spring	1						x		
7310	Compl. Seal Guard	1							x	2
732	Gas generator	1							x	2

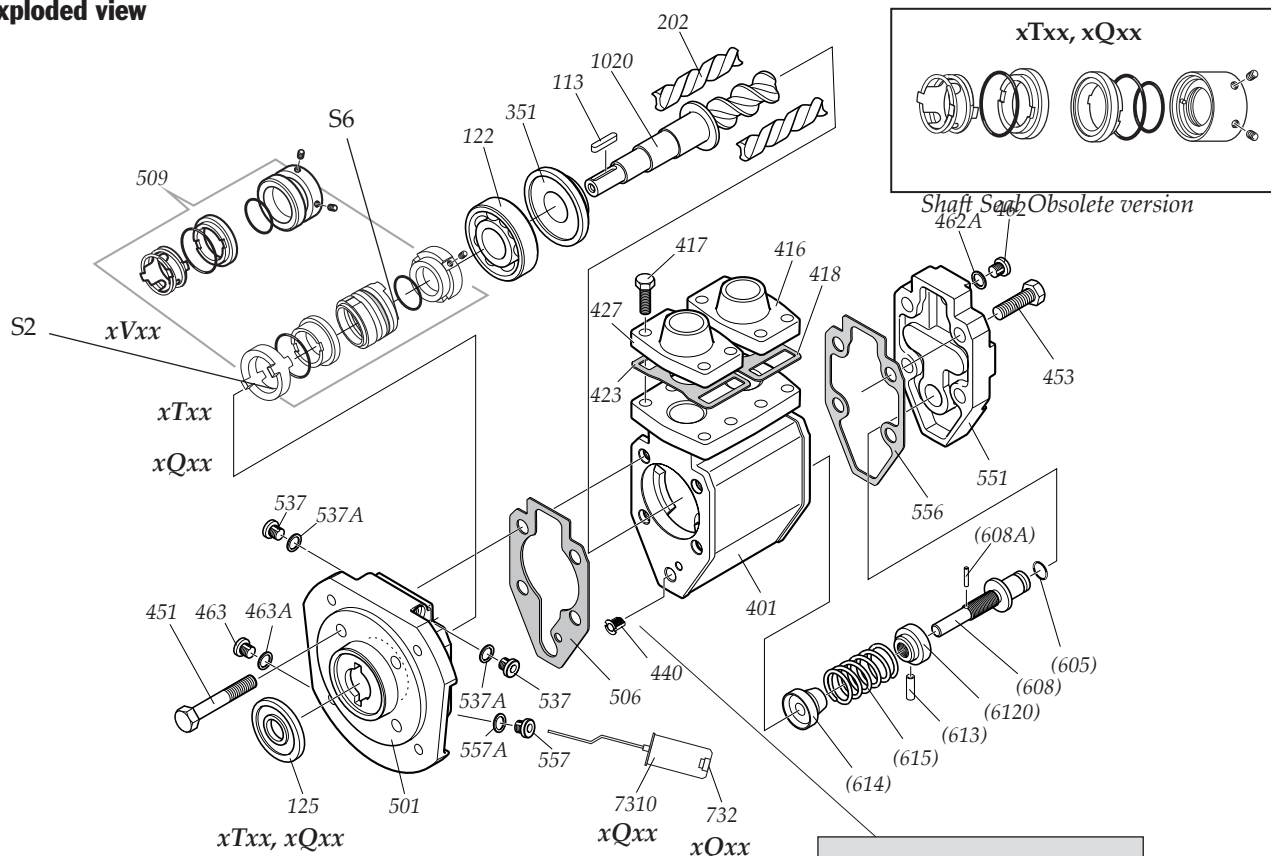
**Explanations:**

- A050: Unpainted pump
- A078: Rubber details in nitrile (when viton is standard)
- A101: Pump with CCW-rotor set
- A291: Pump with tapered power rotor. Reduced flow
- G011: Rotor set (CCW)
- G012: Rotor set (CW)
- G050: Shaft seal
- G053: Minor kit
- G057: Joint kit
- G070: Valve element
- G082: Seal Guard kit

**Notes:**

- 1) Version NTBP and NQBP
- 2) Version NQBP only
- 3) Excluded in pumps manufactured from december 2000.
- 4) Excluded in xTxx A078
- 5) Removed from August 2011

## Exploded view



Removed from August 2011

## Ordering code

Pos No	Spare parts (set)		Part no for pump size			Note
			025	032	038	
Pump	ACE xxxL3	NVBP	189897	189892	--	
	ACE xxxK3	NVBP	--	--	189886	
	ACE xxxN3	NVBP	189686	189787	189788	
	ACE 038D3	NVBP	--	--	190749	
G011	Rotor set	K-lead CCW-rot	--	--	190489	2
	"	L-lead	190493	190490	--	2
	"	N-lead	190492	190491	190488	2
G012	Rotor set	K-lead CW-rot	--	--	190482	2
	"	L-lead	190486	190485	--	2
	"	N-lead	190487	190484	190483	2
	"	D-lead	--	--	192698	
G050	Shaft seal	xQxx	190495	190495	190497	1
	"	xTxx	190495	190495	190497	1
	"	xTxx A078	191288	191288	191288	
	"	xVxx	194030	194030	194030	1
G053	Minor kit	xQxx	190503	190712	190499	1
	"	xTxx	190503	190712	190499	1
	"	xVxx	190501	190710	190500	1
G057	Joint kit	xQxx	190524	190713	190523	1
	"	xTxx	190524	190713	190523	1
	"	xVxx	190525	190714	190522	1
G070	Valve element		189873	189873	189873	1
	"	A078	191291	191291	191291	
G082	Sealguard kit	xQxx	190526	190526	190527	
122	Ball bearing		173765	173765	173591	
125	Secondary seal	xQxx, xTxx	190469	190469	190468	1
351	Balancing bush		189701	189701	189778	
440	Return valve		189707	189707	189707	
5010	Front cover		189692	189692	189775	
732	Gas generator	xQxx	190530	190530	190530	
S2	O-ring	xQxx, xTxx	191514	191514	191514	1
S6	O-ring	xQxx, xTxx	191518	191518	191518	1

### Recommendation:

For maintenance the following spare part sets are recommended:

#### Set: To be used:

##### G057 Joint kit

For dismantling the pump.

##### G053 Minor kit

For service.

##### Major kit = pump

For repair after damage or greater wear.

### Ordering example:

For IMO-pump ACE 032N3 NVBP, serial number 456789:

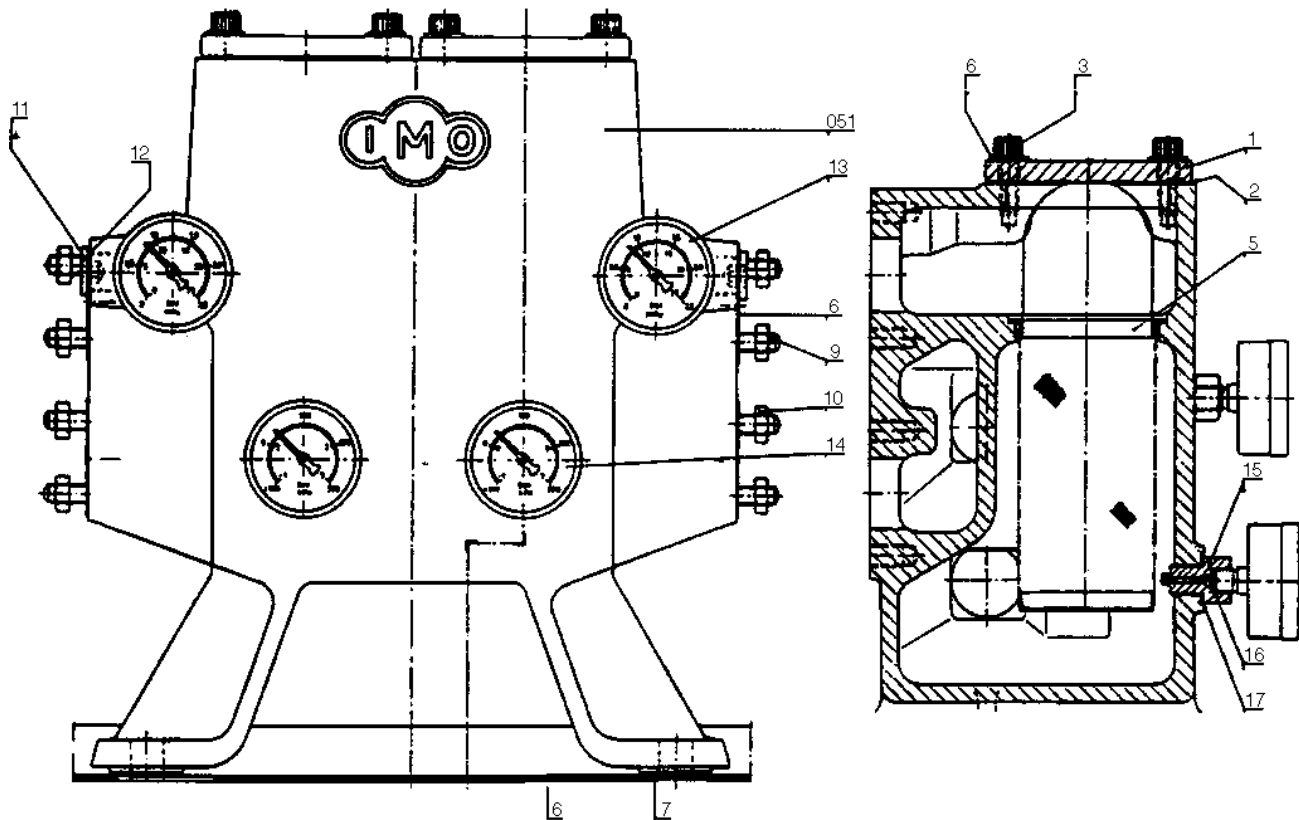
Shaft seal pos G050 p/n 194030

Valve element pos G070 p/n 189873

### Notes:

- 1) Not valid for A078
- 2) Not valid for A291

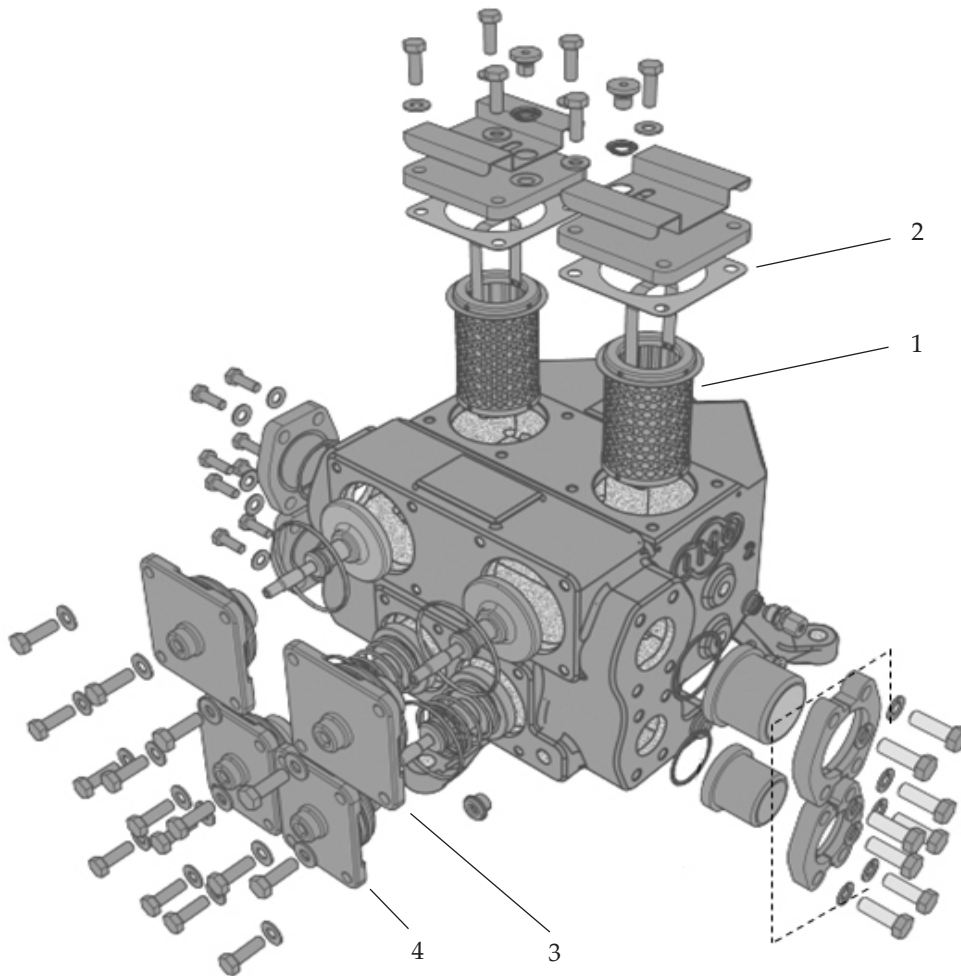
**Assembly drawing T4 double assembly**



**Ordering code**

For double assembly T4					
Pos No			Included in	Scale	Note
2	Joint	160929			
5	Strainer, 2 pcs double unit	160937	Q1xx		steel mesh without magnetic core 500 my
"	"	172866	Q2xx		steel mesh with magnetic core 200 my
"	"	161885	Q3xx		steel mesh with magnetic core 500 my
"	"	189935	Q4xx		steel mesh without magnetic core 300 my
"	"	190824	Q5xx		steel mesh without magnetic core 700 my, rustproof
"	"	190823	Q6xx		steel mesh without magnetic core 1200 my, rustproof
13	Pressure gauge - inlet	172346	Qx10	bar-kPa	0-10 bar std 63mm diameter
"	"	160952	Qx20	"	0-25 bar std 63mm diameter
"	"	190164	Qx14	"	0-10 bar 100mm dia
14	Pressure gauge - outlet	160960	Qx10, Qx20	bar-MPa	-1/+9 bar 63mm diameter
"	"	190163	Qx14	"	-1/+9 bar 100mm dia

**Assembly drawing T5 double assembly**



**Ordering code**

For double assembly T5			
Pos No	Spare Parts (set)	Part no	Note
1	Strainer	192375	Two strainers / each double assembly
2	Gasket	160929	Two gaskets / each double assembly
3	Compl. inlet valve	192350	Two compl. inlet valves / each double assembly
4	Compl. inlet valve	192355	Two compl. outlet valves / each double assembly